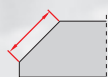


■ PRO-40 PBS | PIPE BEVELLING MACHINE

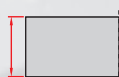
PRO-40 PBS is designed for beveling and facing pipes, tanks or tubes in a range of diameters from 200 mm to 1000 mm (8-40"). High-speed rotary milling head with replaceable inserts enables effective and efficient machining with bevel widths up to 45 mm (1-3/4") and angles between 0° and 60°. Internal beveling and J-groove end preparation is optionally available.



Use of heavy duty milling head in PRO-40 PBS offers accurate bevels in a fraction of the time compared to traditional single point machining. This feature saves time and money by excellent efficiency.



Max bevel width 45 mm



Min. wall thickness 5 mm



Bevel angle from -60° to 60°



Pipe OD 200-1000 mm



Facing off



Pipe ID beveling



Pipe OD beveling

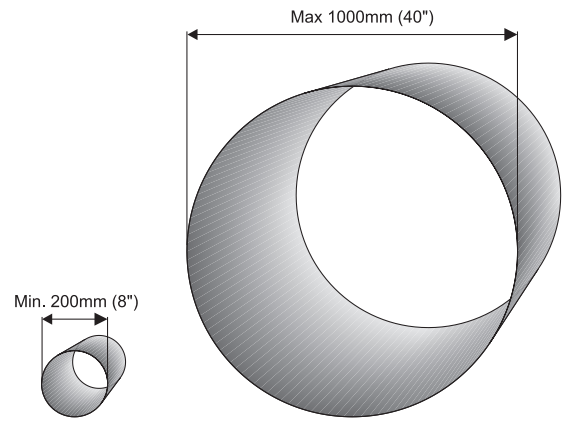


Pipe J-groove beveling

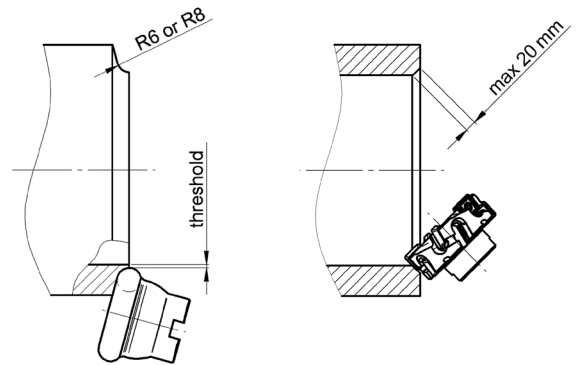
PRO 40 PBS Technical specification	
Power supply	1~ 208 - 230 V, 50/60 Hz 3~ 208 - 230 V, 50/60 Hz
External pipe diameter range	200-1000 mm (8" - 40") pipes longer than 830 mm; 200-600 mm (8" - 23-5/8") pipes of 400-830 mm length
Maximum allowed pipe weight	10 000 kg (22 000 lbs)*, if active support equipped with optional steel rollers
Min. pipe wall thickness	5 mm (3/16")
Pipe fixing	mechanical with chain
Feed rate	100-1100 mm/min
Beveling angle range	0-60° with continuous angle adjustment
Max OD bevel width	45 mm (1-3/4")
Max ID bevel width	5 mm (1/4") standard, up to 20 mm ("13/16) - option
Beveling type „J”	YES - option
„J” type beveling radius	0.24 in./6 mm or 0.31 in./8 mm
Product Code	UKS-0436-10-20-00-1

* 6000 kg (13 200 lbs) for plastic rollers of active support (standard)

Range of diameters from 200 mm up to 1000 mm (8-40")



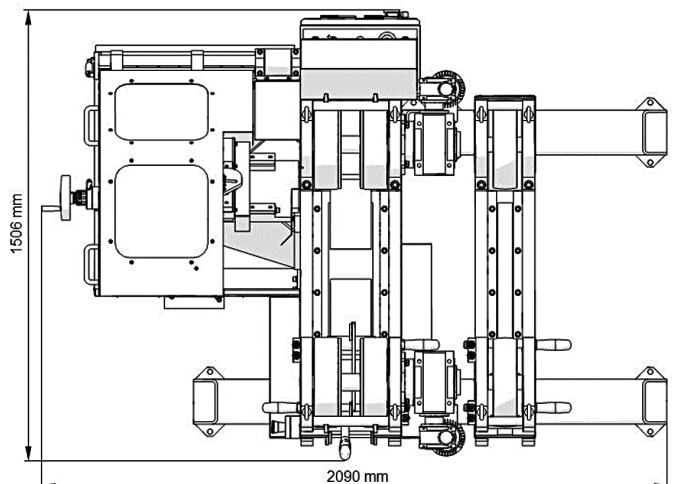
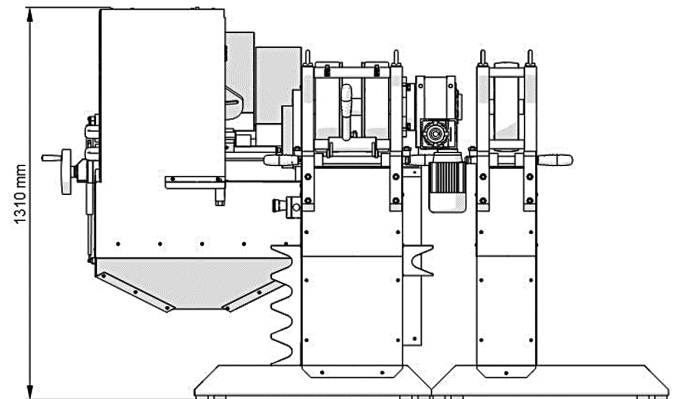
Operations with optional milling heads



Standard shipping set:

- stationary pipe beveling machine
- active support (with plastic rollers)
- passive support (with steel rollers)
- standard milling head with 7 cutting inserts
- set of guiding chains
- 10 mm hex wrench
- 8 mm hex wrench
- 5 mm hex wrench
- torx T15P screwdriver
- Operator's Manual
- wooden box

Overall dimensions:

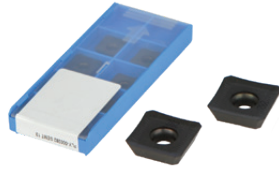


User-friendly control panel

Beveling - standard accessories



GLW-00013
Standard Milling head
(7 inserts required)



PLY-000282
Cutting insert for beveling
1pc (sold 10pcs/box)



PLY-000591
Cutting insert HD for beveling
1pc (sold 10pcs/box)



SRB-000311
Insert fixing screw for
PLY-000282, PLY-000591,
PLY-000781, PLY-000835

PLY-000781
Cermet cutting insert
for steel
1pc (sold 10pcs/box)

PLY-000835
Cutting insert for
stainless steel
1pc (sold 10pcs/box)

J-Groove Beveling - option



GLW-0518-07-03-00-0
J-groove R6 milling head
(6 inserts R6 required)



PLY-000422
Cutting insert for J groove R6
end preparation 1pc (sold 10pcs/box)



SRB-000297
Insert fixing screw for
PLY-000422



GLW-0518-07-04-00-0
J-groove R8 milling head
(5 inserts R8 required)



PLY-000424
Cutting insert for J groove R8
end preparation 1pc (sold 10pcs/box)

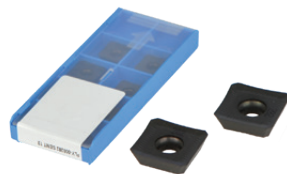


SRB-000367
Insert fixing screw for
PLY-000424

Internal Beveling - option



GLW-0436-19-00-00-0
Milling head for internal beveling



PLY-000282
Cutting inserts for beveling
1pc (sold 10pcs/box)



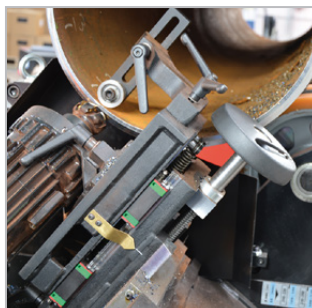
SRB-000311
Insert fixing screw for
PLY-000282

Beveling of short pipes - option



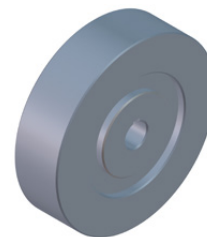
DCS-0436-99-00-00-0
Clamping device for short pipes
of 400-830 mm length

Beveling of oval pipes - option



WSP-0436-24-00-00-0
Oval pipe tracking attachment
(enables consistent land/root face thickness)
Available either with brand new
machine or for retrofitting

Beveling pipes up to 10 tons -option



KOL-0436-23-00-00-0
Steel roll for active pipe
support 1pc (4pcs required)

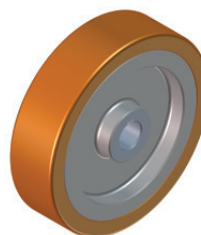
Stainless Steels Beveling - option



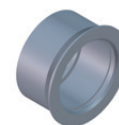
LNC-0436-25-01-00-0
Set of guiding chains
for Stainless Steel



DCS-0436-25-10-00-0
Clamping device for short
Stainless Steel pipes



KOL-000077
Wheel with Vulkollan tire
1pc (2 pcs needed)



RLK-0436-25-11-00-0
Stainless Steel roll for
oval pipe tracking attachment

Features and benefits



Shields and internal lighting increase
safety and comfort of the operator



Adjustable chain
(\varnothing 200-1000 mm) ensures
positive axial rotation



Heavy-duty adjustable pipe
support (\varnothing 200-1000 mm)

All information is subject to change without notice. 24.03



PROMOTECH Sp. z o.o.
ul. Elewatorska 23/1, 15-620 BIAŁYSTOK, POLAND
tel. (+48 85) 678 34 05, fax (+48 85) 662 78 77
marketing@promotech.eu www.promotech.eu

Your local dealer:

